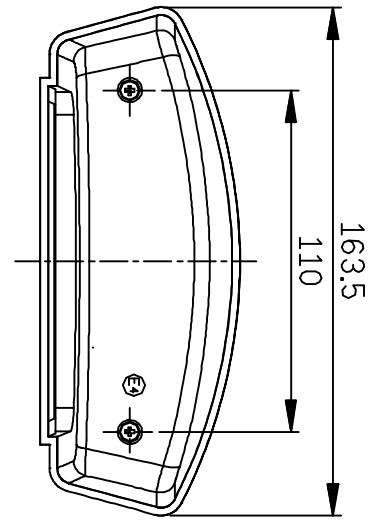
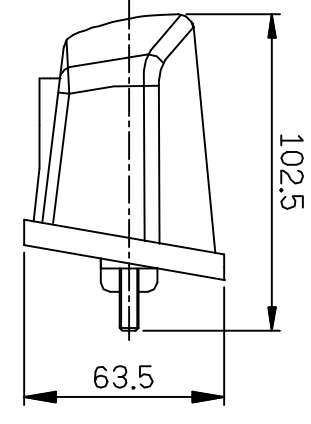


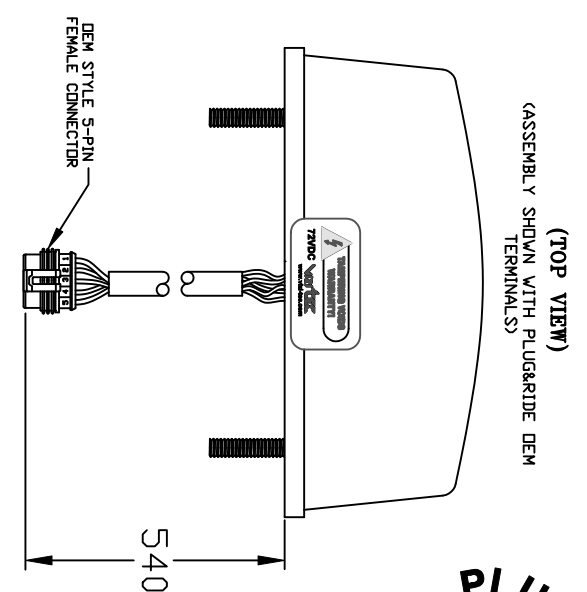
6 5 4 3 2 1



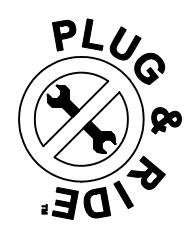
(FRONT VIEW)  
ASSEMBLY SHOWN WITHOUT PLUG&RIDE DEM STYLE CONNECTOR



(SIDE VIEW)



(TOP VIEW)  
ASSEMBLY SHOWN WITH PLUG&RIDE DEM TERMINALS



**OPTICAL SPECS:**

LUMINOUS INTENSITY: 120 MCD EACH LED  
LUMINOUS INTENSITY IS MEASURED WITH A LIGHT SENSOR AND FILTER COMBINATION THAT APPROXIMATES THE CIE EYE-RESPONSE CURVE

RED LED: 350 EACH  
DOMINANT WAVELENGTH: 631 NM  
PEAK EMISSION WAVELENGTH: 639 NM

AMBER YELLOW LED: 140 EACH  
DOMINANT WAVELENGTH: 594 NM - 607 NM  
PEAK EMISSION WAVELENGTH: 596 NM

VIEWING ANGLE (2 $\theta$  1/2) : 145° ±10° BIN CODE  
( $\phi$  IS THE OFF-AXIS AT WHICH THE LUMINOUS INTENSITY IS HALF THE AXIAL LUMINOUS INTENSITY)

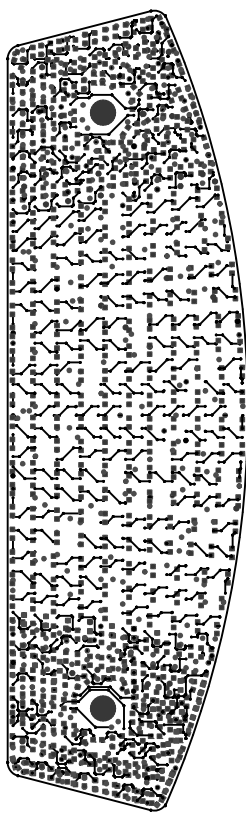
**ELECTRICAL SPECS:**

**THE SUPANOVA (SN4901-MONSTER) LED BOARD IS A SOLID STATE DEVICE. CARE SHOULD BE TAKEN DURING INSTALLATION TO AVOID ESD DAMAGE.**

STORAGE TEMPERATURE: -40°C TD +105°C (-40°F TD 221°F)  
OPERATING AMBIENT TEMPERATURE: -40°C TD +85°C (-40°F TD 185°F)  
INPUT VOLTAGE: 9VDC TD 15VDC (NDM, 12VDC)  
IEC 529 IP 6.4 STANDARDS  
QUIESCENT CURRENT: 0.145 AMPS TYP  
TURN SIGNAL BLEED RESISTOR SINK CURRENT: 0.830 AMPS  
WIRE SIZE: 18 AWG

**CLASS 1 LED PRODUCT**

**THIS PRODUCT USES LEDS THAT ARE INHERENTLY CLASS 1**



(PCBA TOP VIEW SHOWN WITHOUT SILKSCREEN)  
ZOOM 2X



**CAUTION**  
**ELECTROSTATIC DISCHARGE SENSITIVE**

THIS DRAWING CONTAINS PROPRIETARY INFORMATION AND IS NOT TO BE USED OR REPRODUCED WITHOUT THE WRITTEN PERMISSION OF VIZILE ENGINEERING CORPORATION. Copyright VIZILE 2008. DO NOT SCALE DRAWING

UNLESS OTHERWISE NOTED	2 PLG	3 PLG	ANGLE	DETAIL	SIGNATURE	DATE
REMOVE BIRMS & SHARP EDGES	±.XX	±.XXX	±.X°	APPD		04/04/08
SURFACE FINISH	XX			APPD		

 Vizile Technologies www.vizilec.com	SCALE N/A	SIZE	DRAWING NUMBER	SHEET 1 OF 1	REV
			20090303	AA	

SUPANOVA(DUCATI-TM)  
SN4901-MONSTER

6 5 4 3 2 1