

6

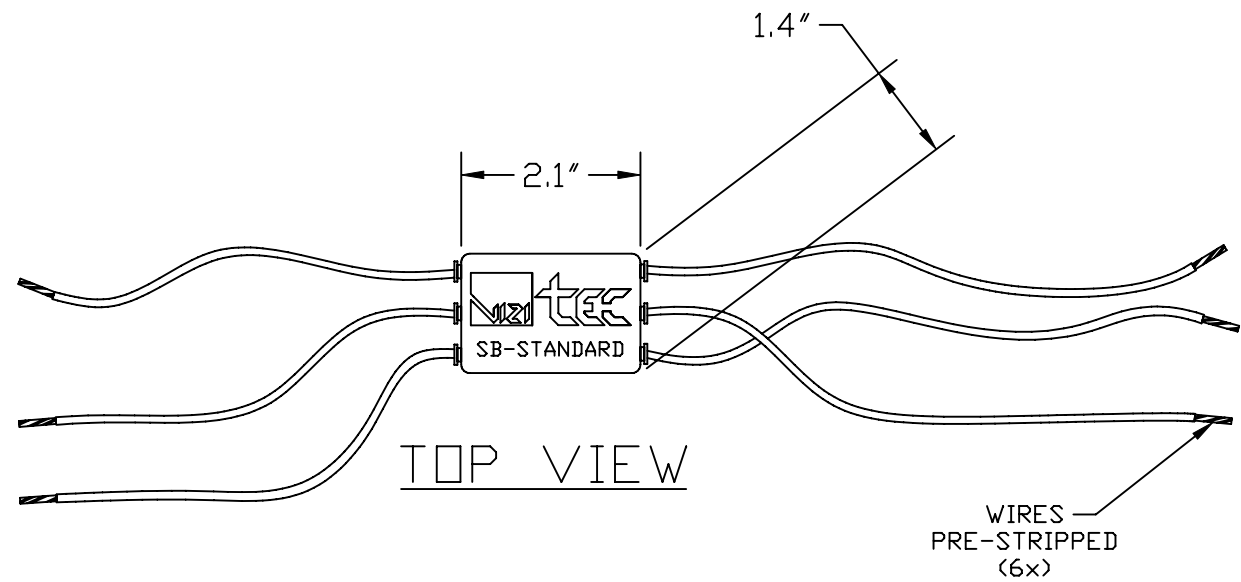
5

4

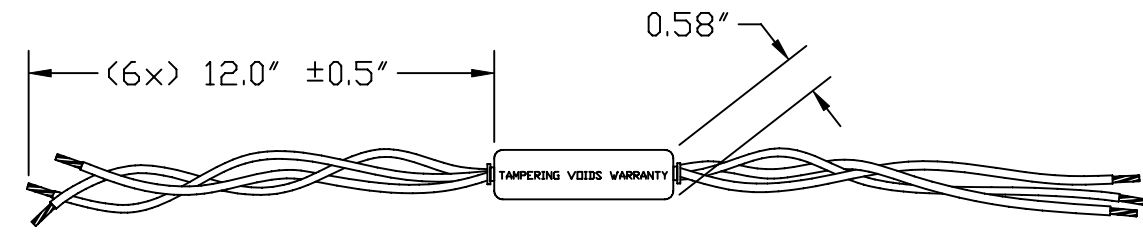
3

2

1

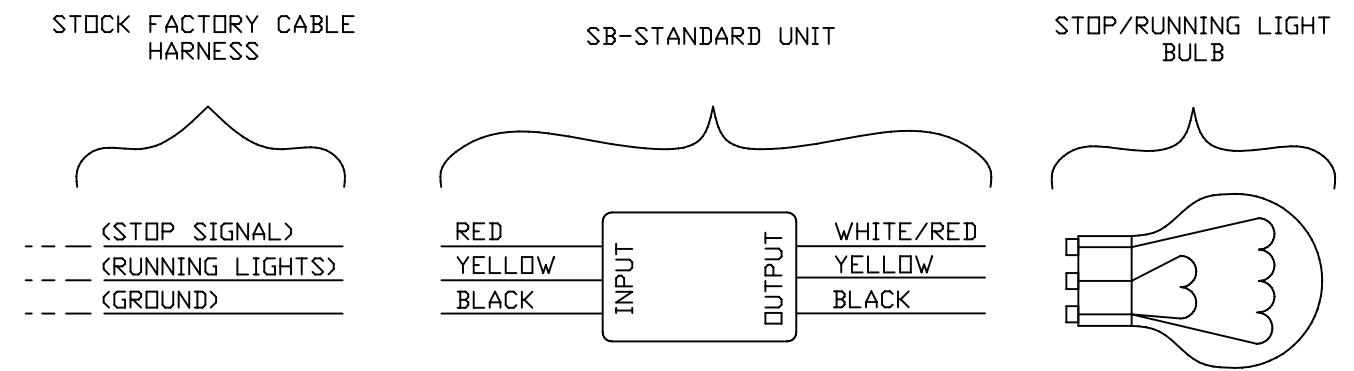


TOP VIEW



SIDE VIEW

CONFIGURATION

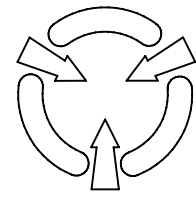


WIRE CHART: STANDARD				
INPUT		OUTPUT		COMMENTS
WIRE COLOR	NOTES	WIRE COLOR	NOTES	
RED	STOP SIGNAL	WHITE/RED	MODULATED STOP SIGNAL	STOP LIGHT FILIMENT
YELLOW	(12VDC) RUNNING/PARKING	YELLOW	(12VDC) RUNNING/PARKING	RUNNING LIGHT FILIMENT
BLACK	COMMON	BLACK	COMMON	GROUND RETURN


SPECS:

THE SUPABRAKE FLASHER-MC(™) IS A SOLID STATE INTEGRATED MICRO CONTROLLER DEVICE. CARE SHOULD BE TAKEN DURING INSTALLATION TO AVOID ESD DAMAGE.

- STORAGE TEMPERATURE: -40°C TO +105°C (-40°F TO 221°F)
- OPERATING AMBIENT TEMPERATURE: -40°C TO +85°C C° (-40°F TO 185°F)
- INPUT VOLTAGE: 9VDC TO 15VDC (NOM. 12VDC)
- QUIESCENT CURRENT: 0.008 AMPS
- CONSTANT OUTPUT CURRENT: 11 AMPS
- PEAK OUTPUT CURRENT: 32 AMPS @ 20µs PULSE WIDTH
- WIRE SIZE: 18 AWG



CAUTION
ELECTROSTATIC
DISCHARGE SENSITIVE

THIS DRAWING CONTAINS PROPRIETARY INFORMATION AND IS NOT TO BE USED OR REPRODUCED WITHOUT THE PERMISSION OF vizITEC ENGINEERING CORPORATION. Copyright vizITEC 2006	TOLERANCES UNLESS OTHERWISE NOTED		SIGNATURE		DATE	 Vizible Technologies www.vizitec.com						
	2 PLC ±.XX	3 PLC ±.XXX	ANGLE ±.X°	DETAIL APP'D	12/12/06							
	REMOVE BURRS & SHARP EDGES			APP'D								
DO NOT SCALE DRAWING	SURFACE FINISH XX ✓		THIRD ANGLE PROJECTION		<p align="center">SUPABRAKE_FLASHER SB-STANDARD</p>							
DIMENSIONS ARE IN INCHES						<table border="1"> <tr> <td>SIZE</td> <td>DRAWING NUMBER</td> <td>REV</td> </tr> <tr> <td></td> <td>2006112-02</td> <td>AA</td> </tr> </table>	SIZE	DRAWING NUMBER	REV		2006112-02	AA
SIZE	DRAWING NUMBER	REV										
	2006112-02	AA										
SCALE N/A					SHEET 1 OF 1							

6

5

4

3

2

1