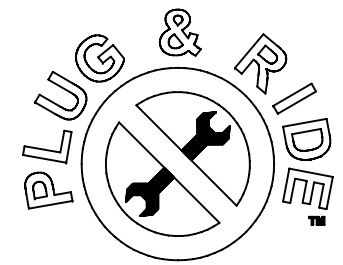
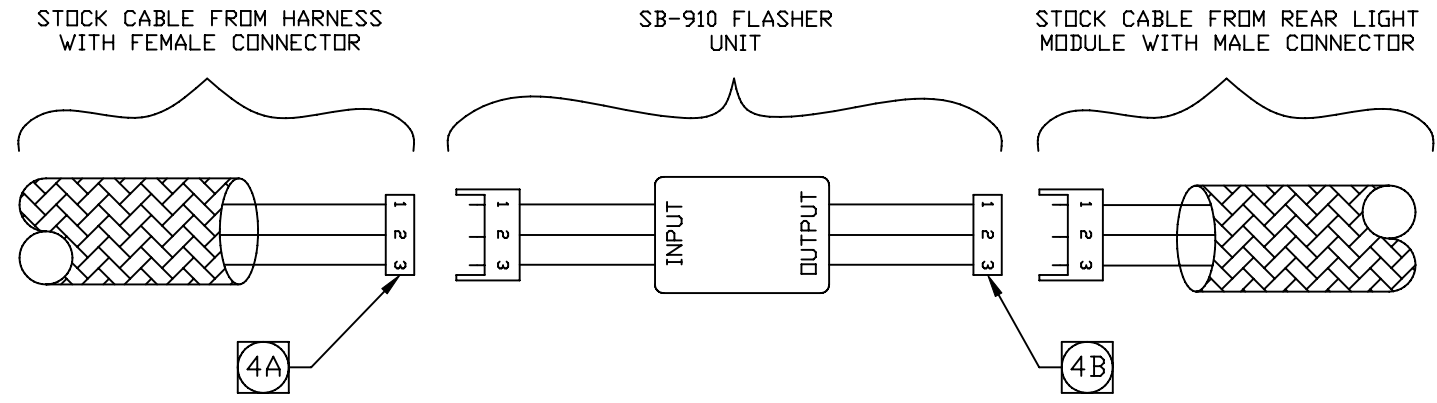


INSTALLATION



1. VERIFY THE FUNCTIONALITY OF THE BRAKE LIGHTS.
2. TURN OFF IGNITION. PER OWNER'S MANUAL OPEN THE SEAT COVER HOUSING TO EXPOSE THE 3-CONDUCTOR CONNECTOR.
3. DISCONNECT THIS CONNECTOR ASSEMBLY.
4. THE SUPABRAKE(SB-910) IS INSTALLED IN SERIES WITH THE ORIGINAL CABLE HARNESS AND THE REAR LIGHT MODULE, PER ELECTRICAL BLOCK DIAGRAM INSTALLATION BELOW.



- 4A ATTACH THE FEMALE CONNECTOR OF THE STOCK CABLE TO THE MALE "INPUT" END OF THE SB-910 UNIT.
- 4B ATTACH THE FEMALE "OUTPUT" CONNECTOR OF THE SB-910 TO THE STOCK CALBE FROM THE REAR LIGHT MODLUE.
5. TURN ON INGITIN AND TEST THE FUNCTIONALITY OF THE SB-910. TURN OFF INGITION. SECURE THE SB-910 UNIT WITH SUPPLIED TIE WRAPS AND DOUBLE SIDED TAPE. CLOSE AND LOCK DOWN SEAT COVER.

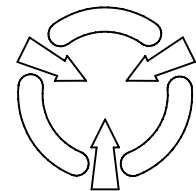
WIRE CHART: MV AGUSTA™ Brutale 910

INPUT		OUTPUT		COMMENTS
WIRE COLOR	NOTES	WIRE COLOR	NOTES	
YELLOW	(12VDC) RUNNING/PARKING	YELLOW	(12VDC) RUNNING/PARKING	RUNNING LIGHT FILIMENT
RED	STOP SIGNAL	WHITE	MODULATED STOP SIGNAL	STOP LIGHT FILIMENT
BLACK	COMMON	BLACK	COMMON	GROUND RETURN

SPECS:

THE SUPABRAKE FLASHER-MC(tm) IS A SOLID STATE INTEGRATED MICRO CONTROLLER DEVICE. CARE SHOULD BE TAKEN DURING INSTALLATION TO AVOID ESD DAMAGE.

STORAGE TEMPERATURE: -40°C TO +105°C (-40°F TO 221°F)
 OPERATING AMBIENT TEMPERATURE: -40°C TO +85°C C° (-40°F TO 185°F)
 INPUT VOLTAGE: 9VDC TO 15VDC (NOM. 12VDC)
 QUIESCENT CURRENT: 0.008 AMPS TYP
 CONSTANT OUTPUT CURRENT: 11 AMPS
 PEAK OUTPUT CURRENT: 32 AMPS @ 20us PULSE WIDTH
 WIRE SIZE: 18 AWG



CAUTION
ELECTROSTATIC
DISCHARGE SENSITIVE

THIS DRAWING CONTAINS PROPRIETARY INFORMATION AND IS NOT TO BE USED OR REPRODUCED WITHOUT THE PERMISSION OF viziTEC ENGINEERING CORPORATION. Copyright viziTEC 2006	TOLERANCES UNLESS OTHERWISE NOTED		SIGNATURE	DATE	 Vizable Technologies www.vizi-tec.com	
	2 PLC ±.XX	3 PLC ±.XXX	ANGLE ±.X°	DETAIL APP'D		
	REMOVE BURRS & SHARP EDGES			APP'D		
	SURFACE FINISH XX ✓		THIRD ANGLE PROJECTION			
DO NOT SCALE DRAWING		DIMENSIONS ARE IN INCHES			SUPABRAKE_FLASHER SB-910	
SCALE N/A		SIZE	DRAWING NUMBER	REV		
			2006112-14	AA		
				SHEET 1 OF 1		