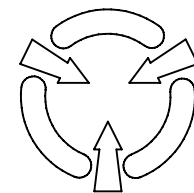


SPECS:

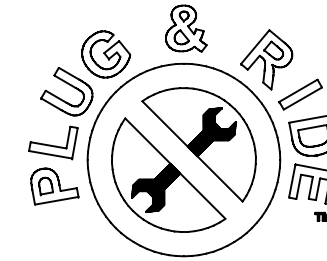
THE SUPABRAKE FLASHER-MC(tm) IS A SOLID STATE INTEGRATED MICRO CONTROLLER DEVICE. CARE SHOULD BE TAKEN DURING INSTALLATION TO AVOID ESD DAMAGE.

- STORAGE TEMPERATURE: -40°C TO +105°C (-40°F TO 221°F)
- OPERATING AMBIENT TEMPERATURE: -40°C TO +85°C C° (-40°F TO 185°F)
- IEC 529 IP 6.7 STANDARDS
- INPUT VOLTAGE: 9VDC TO 15VDC (NOM. 12VDC)
- QUIESCENT CURRENT: 0.008 AMPS TYP
- CONSTANT OUTPUT CURRENT: 11 AMPS
- PEAK OUTPUT CURRENT: 32 AMPS @ 20µs PULSE WIDTH
- WIRE SIZE: 18 AWG

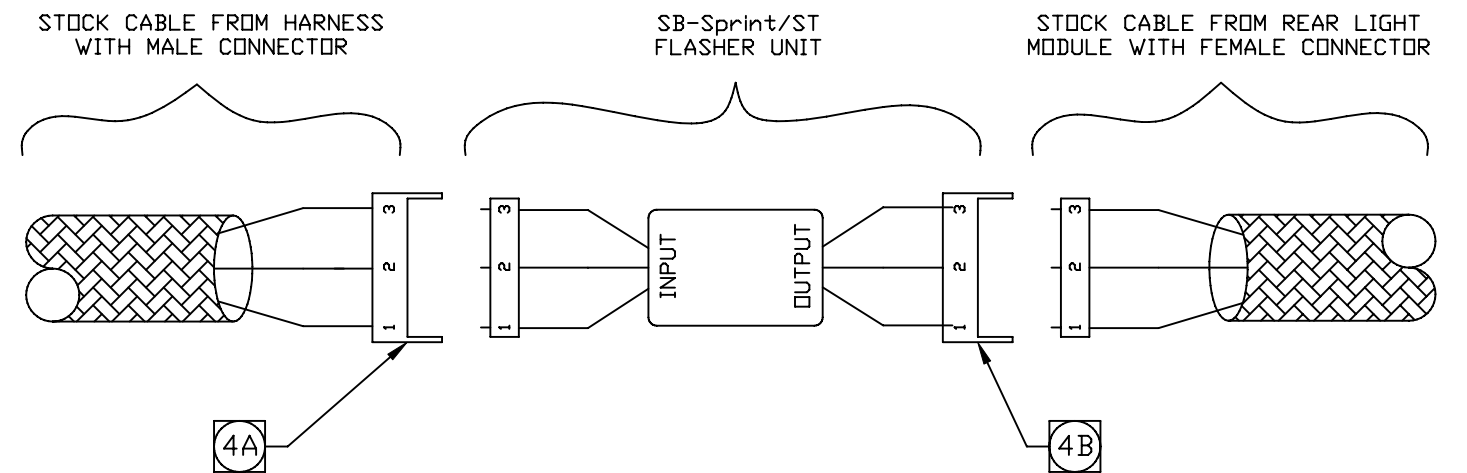


CAUTION
ELECTROSTATIC
DISCHARGE SENSITIVE

INSTALLATION



- TURN OFF IGNITION.
- REMOVE THE REAR MUD FLAP COVER TO EXPOSE THE 3-CONDUCTOR OEM STYLE WEATHER PROOF CONNECTOR.
- DISCONNECT THE CONNECTOR.
- THE SUPABRAKE(SB-Sprint/ST) IS INSTALLED IN SERIES BETWEEN THE ORIGINAL CABLE HARNESS AND THE REAR LIGHT MODULE, PER ELECTRICAL BLOCK DIAGRAM INSTALLATION BELOW.



ELECTRICAL BLOCK DIAGRAM INSTALLATION

- 4A ATTACH THE FEMALE CONNECTOR FROM THE STOCK CABLE TO THE MALE "INPUT" CONNECTOR OF THE SB-Sprint/ST UNIT.
 - 4B ATTACH THE FEMALE "OUTPUT" CONNECTOR FROM THE SB-Sprint/ST TO THE STOCK CABLE OF THE REAR LIGHT MODULE.
- SECURE THE SB-SV UNIT WITH SUPPLIED DOUBLE SIDED TAPE AND TIE WRAPS. REINSTALL SEAT.

THIS DRAWING CONTAINS PROPRIETARY INFORMATION AND IS NOT TO BE USED OR REPRODUCED WITHOUT THE PERMISSION OF vizITEC ENGINEERING CORPORATION. Copyright vizITEC 2006	TOLERANCES UNLESS OTHERWISE NOTED		SIGNATURE		DATE	 Vizible Technologies www.vizitec.com	
	2 PLC ±.XX	3 PLC ±.XXX	ANGLE ±.X'	DETAIL APP'D	BAL		09/08/07
	REMOVE BURRS & SHARP EDGES			APP'D			
	SURFACE FINISH XX ✓		THIRD ANGLE PROJECTION				
DO NOT SCALE DRAWING		DIMENSIONS ARE IN INCHES					SUPABRAKE_FLASHER SB-SPRINT/ST
		SIZE			DRAWING NUMBER		REV
		SCALE N/A			2006112-16_LT		AA
						SHEET 1 OF 1	